

KQH/KQWH系列单级立式/卧式化工泵

KQH / KQWH Series Single-stage Vertical / Horizontal Chemical Pump

➤ 泵结构简单,可靠性强,检修方便

采用特殊设计结构,结构简单、机组占地面积小,使用可靠维修方便等,是创新研发的新一代单级化工泵

➤ 泵体、泵盖、叶轮等零件毛坯采用精密铸造

尺寸精度高,流道光洁,外形美观

➤ 泵轴采用分轴式设计,特殊夹紧结构

从根本上避免了腐蚀泵轴后对电机轴的破坏,保证电机稳定、可靠运行

➤ 泵零部件,整体系列通用性强

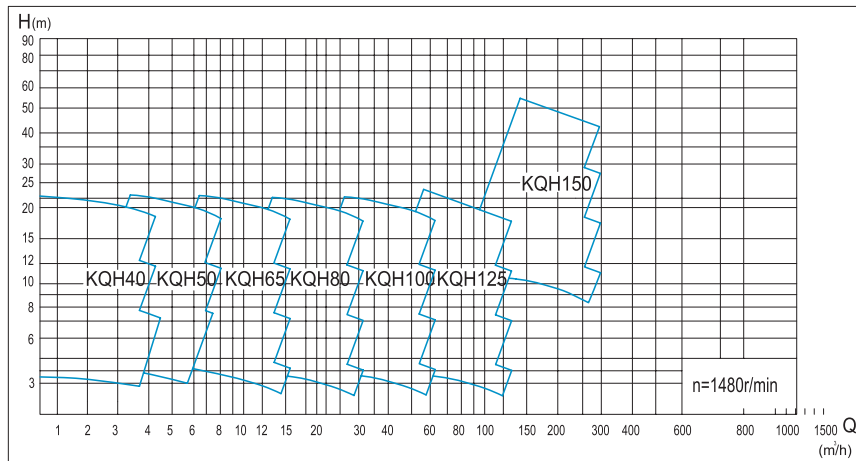
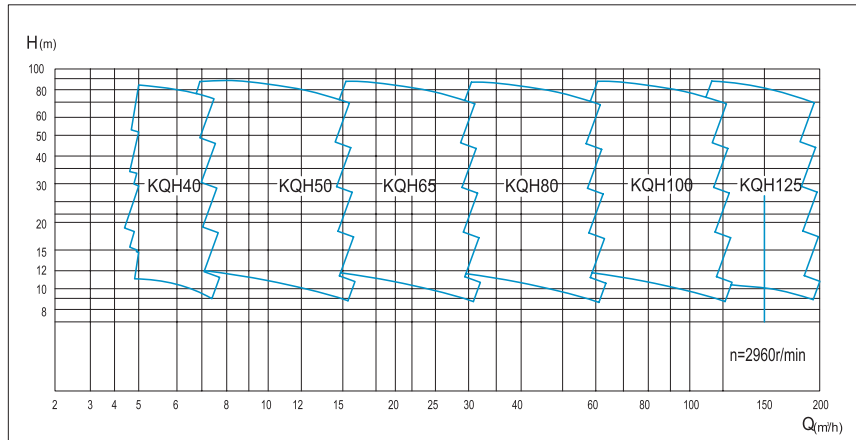
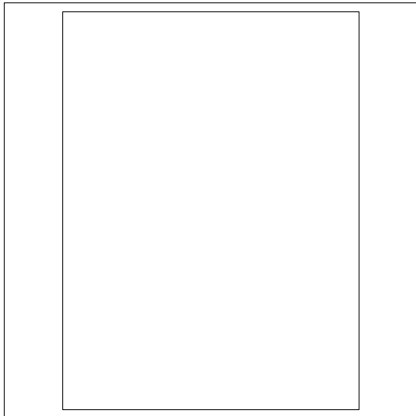
采用国家标准立、卧式电机及该系列泵盖、泵轴、联接架等零件整个系列最大通用性



立式单级化工泵 VERTICAL SINGLE-STAGE CHEMICAL PUMP



KQH 系列
The KQH SERIES



KQH 系列

KQH SERIES

型号说明

例如: KQH80/160-7.5/2

KQH 立式单级化工泵

80 / 进出口直径

160 — 叶轮名义直径

7.5/2 电机功率 / 电机极数

Definition

For example: KQH80/160-7.5/2

KQH: Vertical single-stage chemical pump

80/: Suction and discharge nozzle nominal diameters

160-/: Impeller nominal diameter

7.5/2: Motor power / motor pole

用途

适用于化工、石油、冶金、造纸、食品、制药、合成纤维等工业部门输送有腐蚀性、粘度类似于水的介质。是IH型化工离心泵及F型耐腐蚀离心泵的更新换代产品。

Applications

It is a renewal decided to substitute for Model IH chemical centrifugal pump and Model F proof corrosion centrifugal pump. It is applicable to delivering the liquid which the corrosiveness and adhesiveness is similar to water in the fields of chemical industry, petroleum, metallurgy, generating electricity paper making, food, pharmacy, synthetic-fibre and so on.

使用条件

转速: 2960r/min, 1480r/min

流量范围: 2.2~240m³/h

扬程: 2.8~87m

介质温度: -10℃ ~ 80℃

环境温度: 最大 +40℃

最大工作压力: 1.6MPa

汽蚀余量是实测值, 实际使用时应加 0.5m 的安全裕量。

可配 PN16/GB4216.5 配对法兰。

Working conditions

Speed: 2960r/min, 1480r/min

Capacity range: 2.2~240m³/h

Head range: 2.8~87m

Medium temperature: -10℃ ~ 80℃

Ambient temperature: Up to +40℃

Maximum working pressure: 1.6MPa

The (NPSH) is the measured value, so that it should be increased by 0.5m in use.

Flange PN16/GB4216.5 can be used.

材质

用户可选用与介质相适应的过流部件材质, 过流部件材质表(可根据用户要求另选特殊材质)如下:

材质	ZG1Cr18	ZG1Cr1	ZG0Cr18Ni	ZG1Cr18Ni12	HT250
Material	Ni9	8Ni9Ti	12Mo2Ti	Mo2Ti	
代号	303	305	306	307	
Symbol					---

滑动轴承: 碳化硅或硬质合金

机械密封动、静环: 石墨、硬质合金或其它

Materials

The customer can choose the material of component parts suitable for the liquid to be delivered. The material of the component parts can be chosen from the followings:

Slide bearing: Sic or harden alloy

Rotation and static ring mechanical seal; Graphite, harden alloy

结构

结构紧凑的立式单级化工泵, 功率大于 7.5kW 的泵为便拆式结构, 在不动电机的前提下, 可方便地分别拆卸机械密封、叶轮及轴。

Structure

Compact vertical single-stage chemical industry pump. It is easy that dismount the pump when the motor power more than 7.5kW

——泵壳

管道连接型式的螺旋形泵壳, 采用现代最优水力模型设计制造, 进出口在同一直线上, 且口径相同。法兰符合 GB4216.5, 并带有 Rp1/4 或 Rp3/8 测压口。

——Casing

It has pipe joined spiral casing and uses the best hydraulic model. Suction and discharge nozzles are in one line with the same diameter. Flange accords with the standard of GB4216.5 and has Rp1/4 or Rp3/8 pressure gauge.

——叶轮

闭式不锈钢叶轮，优秀的水力模型保证泵的效率 and 可靠性。

—— Impeller

Closed stainless steel impeller. Best hydraulic model guarantees the efficiency and reliability of the pump.

机械密封

机械密封采用单端面非平衡型机械密封。

Mechanical seal

use Single seal Unbalanced mechanical seal

电机

Y 系列通用鼠笼式交流电机（视用户要求，可采用防爆电机）。

型式: B5

电源: 380V, 50HZ

防护等级: IP44

绝缘等级: B

温度: 电机工作环境温度最大到 40℃。温度高于 40℃ 时，请降低功率使用。

Motor

Y series squirrel alternating current motor.

Type: B5

Power source: 380V, 50HZ

Protection class: IP44

Insulation: B

Temperature: Maximum temperature of working environment is 40℃. Above 40℃, please decrease the power.

优点

泵机组优点

——完美的机泵轴分段设计和便拆卸结构设计，无需拆卸电机即可更换轴、叶轮或机械密封，大大降低了机组维护成本，并使用户维护泵机组极为“轻松”。

——采用短泵轴与电机轴直接刚性连接，先进的加工工艺使机泵轴同心度高，振动小、噪音低

——泵进出口径相同，并在同一直线上。液体流通通畅、损失小。

——取掉底板，将泵象阀门一样安装在管路任何位置。

——最重要的一点，更换泵轴方便外，节省泵轴成本。

——独特的安装结构大大缩小了泵的占地面积，节约建设投资 40%~60%。

——完美的设计确保泵的无泄漏，长寿命运行，节约运行管理费 50%~70%。

——采用优质耐腐蚀不锈钢铸件，尺寸精度高，外形美观。

Advantage

Pump unit:

——Pump shaft and motor shaft perfectly individual design, convenient to teardown design, make user very easy to maintain and reduce the cost.

——Pump shaft and motor shaft directly rigidity connection, advanced machine tooled craftwork make the two shaft entirely concentric, reduce the vibration and reduce the noise.

——The outlet and inlet are same in diameter and the diameters are in the same line, Liquid flows smoothly with less loss.

——Removal of base plate, Just like valves, the pump can be mounted wherever on the pipe line.

——the most key point, save cost except convenient for replacing pump-shaft

——Unique in stallation reduces the occupation of pump, which saves the invest cost by 40% to 60%.

——Perfect design makes sure of no leakage, long life, which saves operation cost by 50% to 70%.

——Adopt the high-quality stainless steel cast, which results in high accuracy in dimension and nice-looking appearance.

安装

KQH 系列是专门为将泵直接安装在管道上而设计的。泵的自重及重心允许所有型号水泵直接安装在管路中，只要水泵的安装在所有工况下都不受力。除此以外，用地基支撑也可以。安装时，除水泵电机头部不允许朝下外，其他任何安装方位均可。

对于功率大于 7.5 千瓦的电机。建议安装使用相应吊装滑轮装置。

Installation

KQH-Pump is specially designed to install the pump directly with the pipe. If the pump will not bear any pressure in any condition, the gravity of the pump itself and the center of the pump allow all series of pumps to be installed with pipe directly. Besides this, baseplate can also be used to support. During installation, except the direction with the heads of the pump and the motor downward id not allowed, any other direction are permitted.

For motor of power above 7.5 kW, we suggest to use pulley in installation.

供货范围

1. 水泵（带底板）、安装使用说明书。
2. L 型联接板、隔振器（垫）。（由用户提出，按合同供货）

Supply Arrange

1. Pump (with baseplate), installation instruction.
2. L type connection board, vibration isolated pads, vibration isolator. (Proposed by user, supply according to contract)

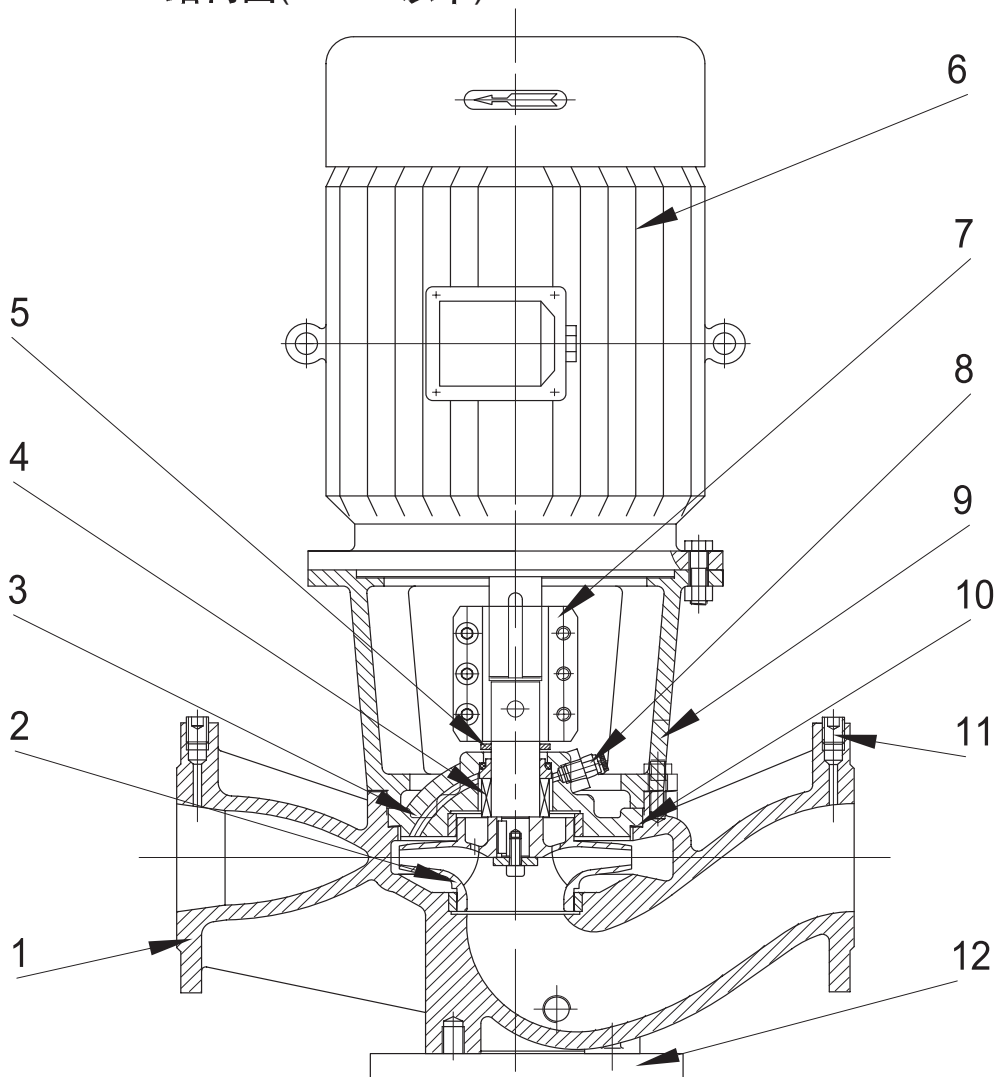
订货须知:

1. 请在合同中注明介质的名称、进口压力、温度、密度、浓度、粘性、PH值等，以便制造厂合理选配材质和电机功率。
2. 当对流量、扬程、进口压力、电机电压、频率、防爆等有特殊要求时，请在合同中注明。

Notes on Order-placing:

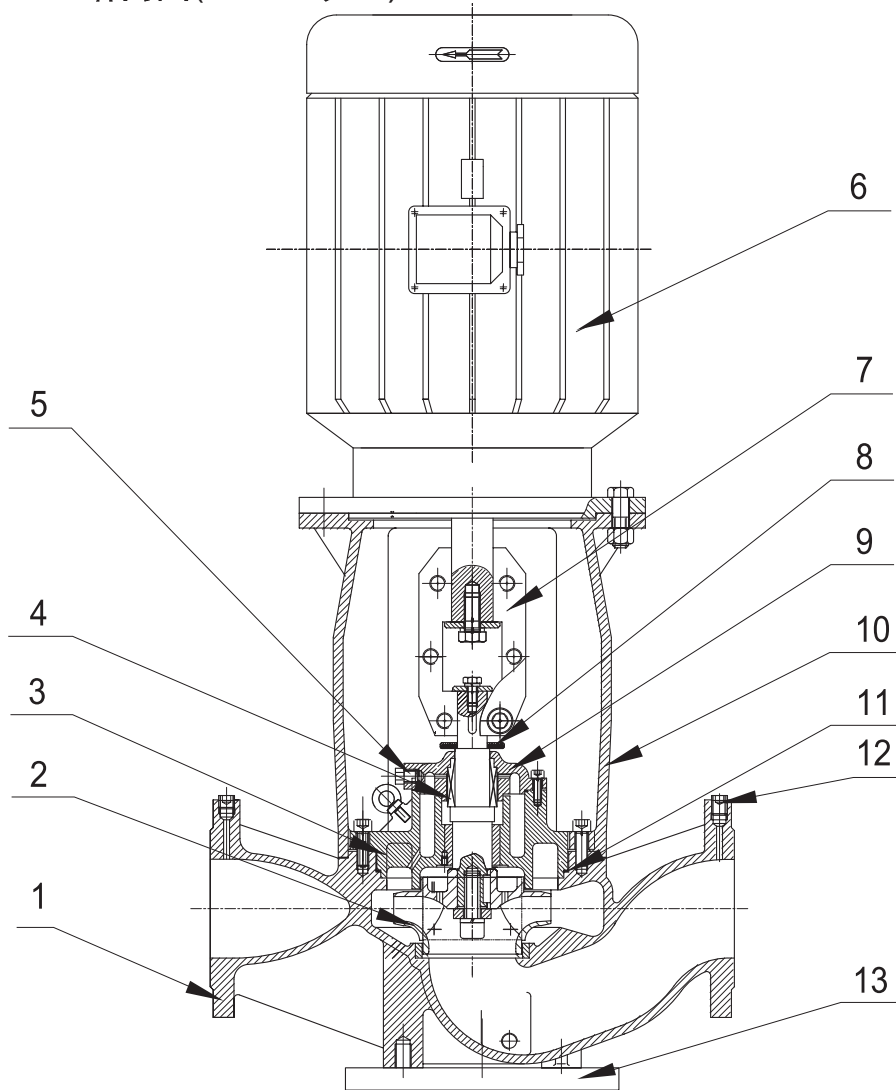
1. Name, temperature, density, concentration, treachiness should be clearly noted in the contract I, so that the manufacturer can make a proper choice of material and power of motor.
2. It should be clearly noted in the contract when special requirement, for instance, capacity, head, inlet pressure, motor voltage, frequency, blast-proof etc, are made.

结构图(7.5kw 以下)STRUCTURE CHART



序号 No.	数量 QUANTITY	名称 NAME
1	1	泵体 Casing
2	1	叶轮 Impeller
3	1	泵盖 Casing cover
4	1	机械密封 Mechanical seal
5	1	挡水圈 Water resistant ring
6	1	电机 Motor
7	1	夹壳联轴器 Half connector
8	1	螺塞 Plug
9	1	支架 Screw
10	1	密封垫 seal pad
11	4	螺塞 Plug
12	1	底板 Baseplate

结构图(7.5kw 以上) STRUCTURE CHART



序号 No.	数量 QUANTITY	名称 NAME
1	1	泵体 Casing
2	1	叶轮 Impeller
3	1	泵盖 Casing cover
4	1	机械密封 Mechanical seal
5	1	螺塞 Plug
6	1	电机 Motor
7	1	夹壳联轴器 Half connector
8	1	挡水圈 Water resistant ring
9	1	机封压盖 Seal plate
10	1	支架 Bracket
11	1	密封垫 seal mat
12	4	螺塞 Plug
13	1	底板 Baseplate