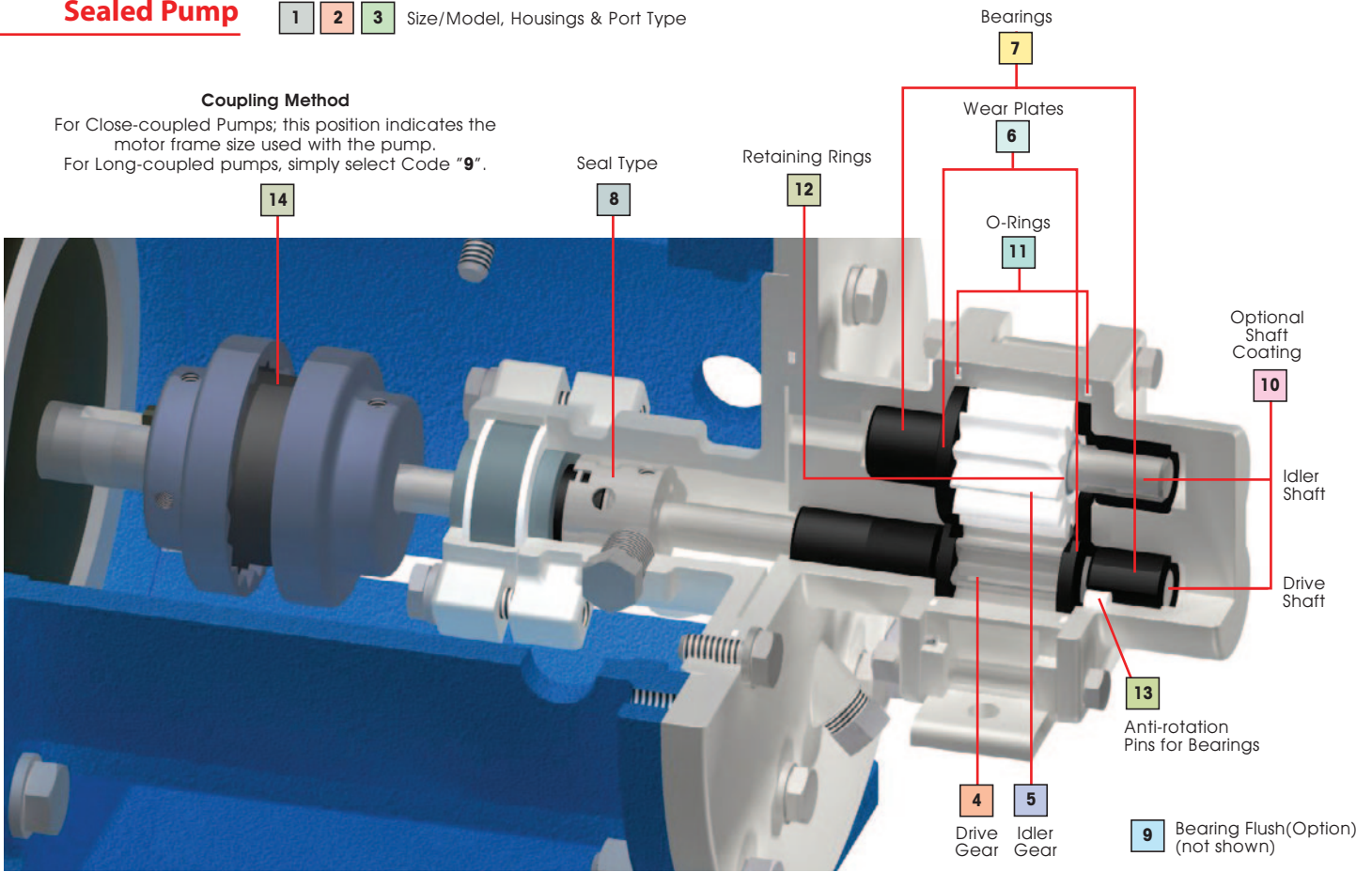


Sealed Pump

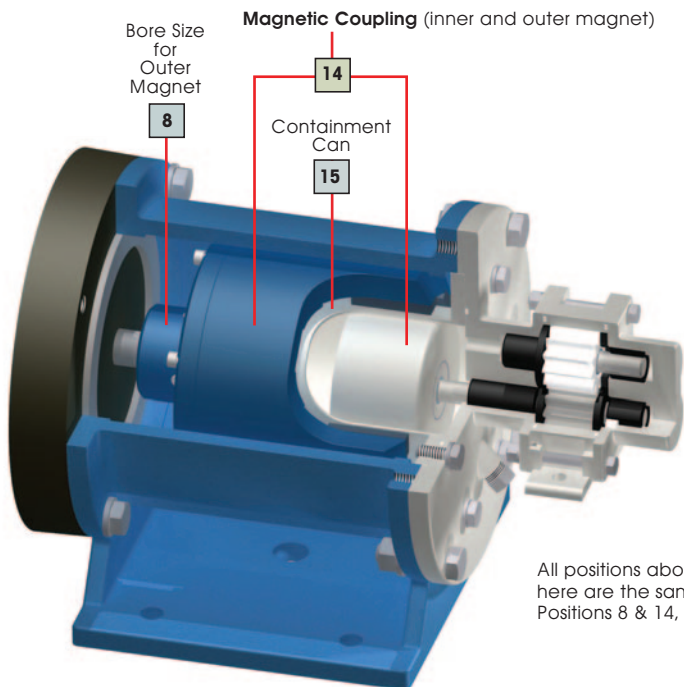
1 2 3 Size/Model, Housings & Port Type

Coupling Method

For Close-coupled Pumps; this position indicates the motor frame size used with the pump.
For Long-coupled pumps, simply select Code "9".



Mag-Drive Pump



All positions above (in Sealed Pump drawing) not shown here are the same for the Mag-drive version except for Positions 8 & 14, which denote type of pump.

PUMP MODEL CODING

H-Series Gear Pumps

Example:

H5FS6PEEU000000, designates a Model H5F Pump with Single Mechanical Seal.

H5F S 6 P E E U 0 0 0 0 0 0 _
 1&2 3 4 5 6 7 8 9 10 11 12 13 14 15

Pos.	Description	Selection
1 & 2	Pump Model	H5F H5F Pump
3	Basic Mat'l/Ports	S 316 SS NPT
4	Drive Gear Mat'l	6 316 SS
5	Idler Gear Mat'l	P PEEK
6	Wear Plate Mat'l	E Carbon 60
7	Bearing Mat'l	E Carbon 60
8	Seal Type	U Single-Int, Carbon-SiC
9	Bearing Flush	Q None
10	Shafts	Q 316 SS, uncoated
11	O-Rings	Q Teflon
12	Retaining Ring	Q 316 SS
13	Bearing Pins	Q Teflon
14	Coupling Method	Q Close-Coupled (56C motor)
15	N/A	

Liquiflo's Model Code describes both the pump's size and materials selected. This model code is required for the future identification of your pump when reordering either a pump or replacement parts. Model code is permanently stamped into pump housing.

- Available
- ⊗ Not Available
- CF Contact Factory

Flanges available: ANSI, DIN.

CONNECTION SIZES

	H1/H3	H5	H7	H9R	H9F	H12	H14
NPT/BSPT	1/4	1/2	3/4	1	1 1/4	1 1/4	-
ANSI 150# RF	1/2	1/2	3/4	1	1 1/4	1 1/2	2 1/2
DIN PN16	10	15	20	25	32	40	65

† Position 3:

Other Flanged styles available: Contact Factory.

- E = 316 SS Flanged DIN PN16
- F = Alloy-C Flanged DIN PN16
- K = 316 SS Flanged ANSI 300#
- M = Alloy-C Flanged ANSI 300#
- N = 316 SS Flanged Sanitary

Liquiflo H-Series Gear Pumps Selection & Availability



Sample Model No. **H5 F S 6 P E E U 0 0 0 0 0 0**

Position No. 1 2 3 4 5 6 7 8 9 10 11 12 13 14 15

Position Model	1 Pump Model	H1	H3	H5	H7N	H7	H9	H12	H14
Position Model 2	F = Full Capacity R = Reduced Capacity	■	■	■	⊗	■	■	■	■
Position 3	S = 316 SS NPT L = 316 SS Flanged 150# X = 316 SS BSPT H = Alloy-C NPT C = Alloy-C Flanged 150# Y = Alloy-C BSPT	■	■	■	■	■	■	■	⊗
Position 4	1 = Alloy-C 3 = Teflon 6 = 316 SS K = Kynar P = PEEK	■	CF	■	■	■	■	■	⊗
Position 5	1 = Alloy-C 2 = Carbon 3 = Teflon 6 = 316 SS 8 = Ryton K = Kynar P = PEEK	■	⊗	■	CF	■	■	■	⊗
Position 6	3 = Teflon 4 = Silicon Carbide E = Carbon 60 P = PEEK	■	■	■	■	■	■	■	⊗
Position 7	3 = Teflon B = Silicon Carbide E = Carbon 60 P = PEEK	■	■	■	■	■	■	■	⊗
Position 8	0 = 0.625" (NEMA 56C) 1 = 0.875" (NEMA 143/145TC) 2 = 14 mm (IEC 71 - B5) 3 = 19 mm (IEC 80 - B5) 4 = 24 mm (IEC 90 - B5) 5 = 1.125" (NEMA 182/184TC) 6 = 1.375" (NEMA 213/215TC) 7 = 1.625" (NEMA 254/256TC) 8 = 28 mm (IEC 100/112-B5) 9 = 38 mm (IEC 132 - B5)	■	■	■	■	■	■	■	⊗
Position 8	U = Single-Int Carbon - SiC S = Single-Int Teflon - SiC W = Single-Ext Carbon - SiC X = Single-Ext Teflon - SiC F = Double Carbon - SiC H = Double Teflon - SiC L = Packing Teflon R = Packing Graphoil	■	■	■	■	■	■	■	⊗
Position 9	0 = Standard Housings 1 = External Bearing Flush 2 = Internal Bearing Flush	■	■	■	■	■	■	■	⊗
Position 10	0 = Material same as housing (uncoated) 1 = Chrome Oxide Coated 2 = Tungsten Carbide Coated	■	■	■	■	■	■	■	⊗
Position 11	0 = Teflon 6 = 316 SS / FEP encapsulated B = Buna-N E = EPDM V = Viton K = Kalrez	CF	■	■	■	■	■	■	■
Position 12	0 = Material same as housing	■	■	■	■	■	■	■	■
Position 13	0 = Teflon 1 = Alloy-C 6 = 316 SS	■	■	■	■	■	■	■	⊗
Position 14	0 = Close-Coupled (NEMA 56C) 1 = Close-Coupled (NEMA 143/145TC) 2 = Close-Coupled (IEC 71 - B5) 3 = Close-Coupled (IEC 80 - B5) 4 = Close-Coupled (IEC 90 - B5) 5 = Close-Coupled (NEMA 182/184TC) 6 = Close-Coupled (NEMA 213/215TC) 7 = Close-Coupled (NEMA 254/256TC) 8 = Close-Coupled (IEC 100/112 - B5) 9 = Close-Coupled (IEC 132 - B5) 9 = Long-Coupled	■	■	■	■	■	■	■	⊗
Position 14	U = 75 in-lbs B = 120 in-lbs V = 200 in-lbs K = 325 in-lbs J = 650 in-lbs	■	■	■	■	■	■	■	⊗
Position 15	S = Single Wall Can D = Dual Kan	■	■	■	■	■	■	■	■
Suffix Options	-8 = Temperature Trim -9D = Viscosity Trim (double clearance) -9T = Viscosity Trim (triple clearance) -9D-8 = Visc. Trim (2X) & Temp. Trim -9T-8 = Visc. Trim (3X) & Temp. Trim -8(LT) = Low Temperature (-40 to 32 °F)	■	■	■	■	■	■	■	■

■ Long-coupled Sealed pumps (1.125" dia. shaft)